

Ikelite Compact Video Housing

instruction manual

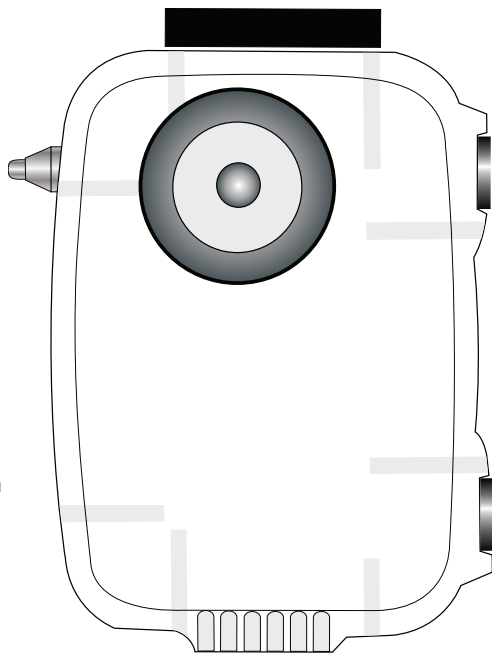
#5610.03 Flip UltraHD with FlipPort 8GB | 2 hr (3rd Gen)

Congratulations on your purchase of an Ikelite Compact Video Housing. Ikelite has decades of experience in the underwater photographic, video, and lighting market.

Our products are designed and built in the USA by Ikelite for both the professional and amateur.

The clear housing permits instant visual inspection of the video camera and all sealing surfaces as well as complete monitoring of controls and camera LCD screens.

This housing has been water pressure tested to 200' (60m) at the factory. All camera controls are fully functional through the housing.

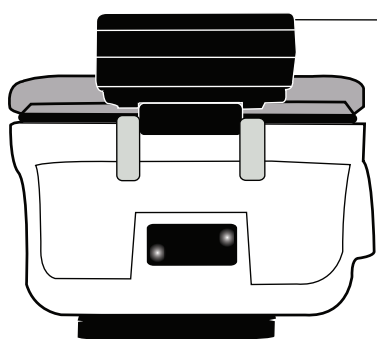
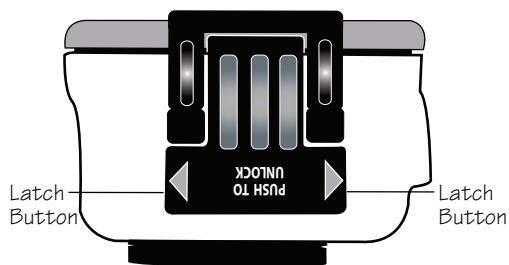


Opening the Housing

1. Place the housing face down in your lap or on a flat surface.
2. Depress opposing latch buttons simultaneously to open housing. Once the latch is unlocked, rotate the latch handle up and away from the housing until it stops. This motion will also break the housing o-ring seal and open the housing back slightly.

NOTE: Latch must be rotated to the fully open position to assure easy opening of the back. Rotate the hinged back to its open position.

Top View
latch closed



Latch in open
position

Top View
latch opened

Housing Size and Weight:

5.8" wide x 4.3" high x 3.1" deep (includes controls and lens port).

14.7cm x 10.9cm x 7.9cm.

Less than 1lb. (0.45kg) above water.

Slightly positive buoyancy underwater.

Please Read

We suggest that you read this instruction booklet thoroughly before use. If you are new to underwater videography be sure to read the General and Video Tips sections.

We also suggest that you read the Flip UltraHD Quick Start Guide thoroughly to have a full understanding of where each camera control is located, and what function each control provides.

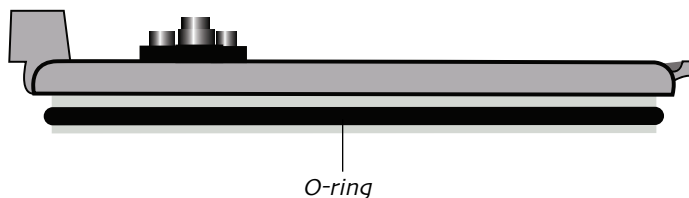
Initial Camera Setup

1. Make sure your Flip video camera is fully charged.
2. Turn on your camera.
3. Set the Date and Time.
4. To ensure that your camera is operating properly, try recording and playback modes before placing your camera in the Ikelite Compact Video Housing.

Main Housing O-ring

Check to see that there is an o-ring on the housing back and that it is clean, lightly lubed, and in its proper location.

Housing Back - Side View



O-ring Maintenance

We recommend that you clean the main housing o-ring and o-ring channel before each day of diving.

1. To remove the o-ring, place your index finger and thumb on the o-ring as shown (Figure A, Page #5).
2. Squeeze the o-ring into a loop by pressing down on the o-ring and squeezing your index finger and thumb together (Figure B, Page #5).
3. Grab the o-ring loop with your other hand and remove the o-ring from the housing back.
4. Wipe the o-ring channel clean with a paper towel, napkin, or lint-free wiping cloth.
5. Clean and lightly lube the o-ring. Use Ikelite lube only (supplied with housing).
6. Very lightly lube the o-ring sealing surface on the housing front.

CAUTION: Never use a screwdriver or metal object to remove the main housing o-ring. This could damage the housing and o-ring, which could result in a leak.

O-ring Maintenance (cont.)

O-ring removal illustrations: Figures A & B

Figure A

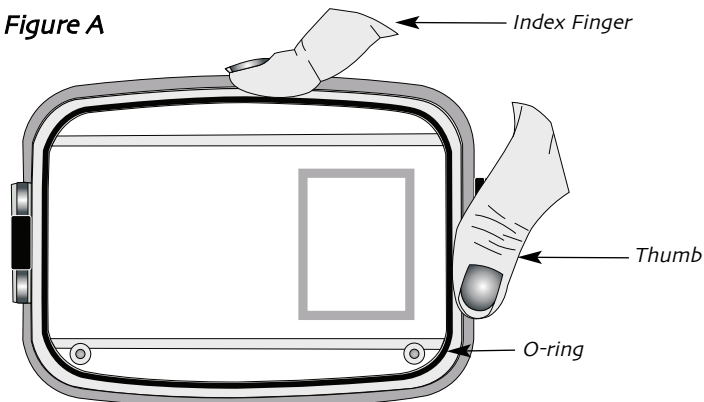
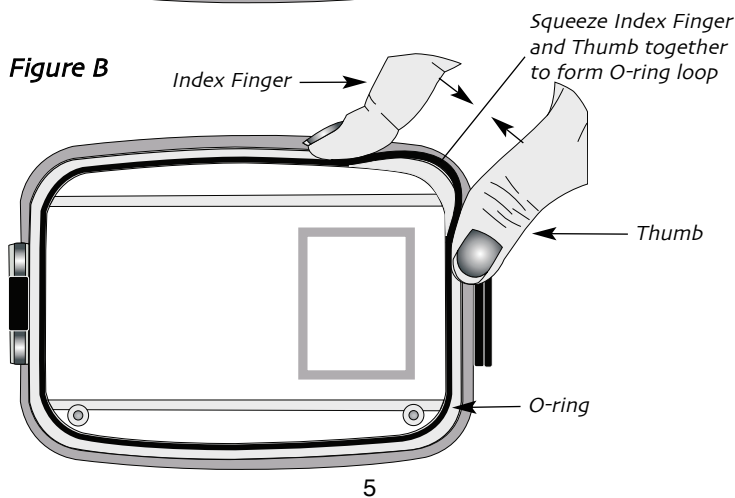
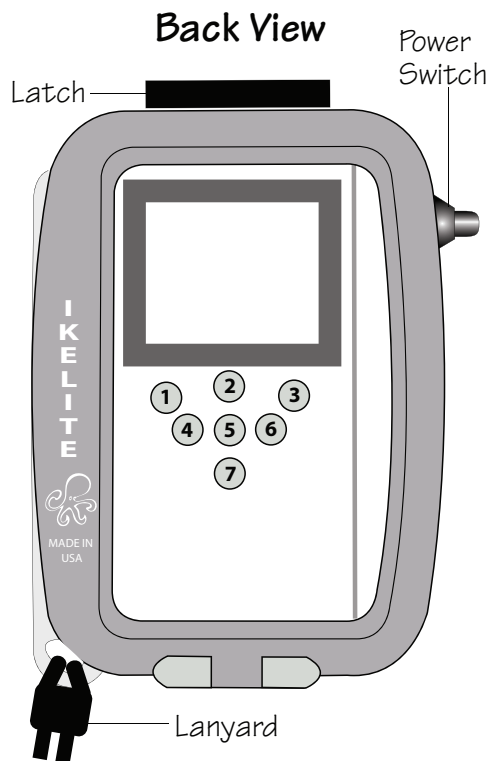


Figure B



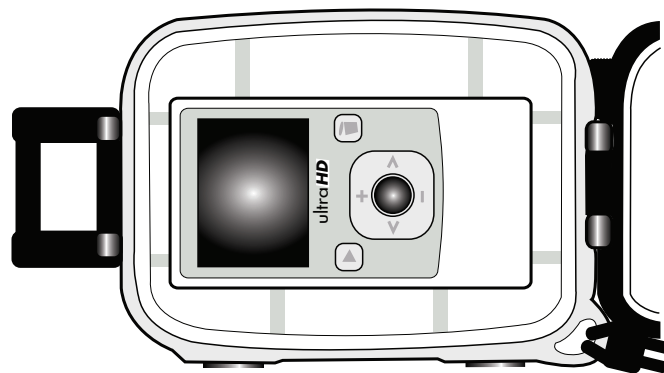
Housing Controls



- | | |
|-------------------|-------------------|
| [1] Play Button | [4] Left Button |
| [2] Up Button | [5] Record Button |
| [3] Delete Button | [6] Right Button |
| | [7] Down Button |

Installing the Camera

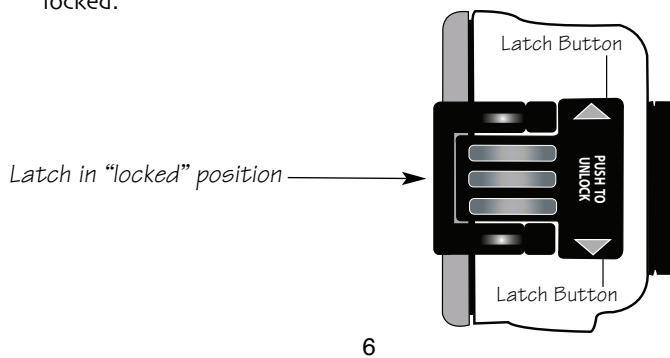
Place the camera face down into the front housing ribs as shown.



Camera in Housing Front

Closing the Housing

Rotate the hinged back onto the housing front. Close the latch and make sure it locks. Latch will "click" into its locked position. Latch buttons will NOT be depressed when latch is properly locked.



Check Main O-ring Seal and Controls

Once the housing has been closed, look at the main housing o-ring seal from the "side view" as seen on page #4. Rotate the housing 360 degrees and note the o-ring seal by looking through the clear housing. A good seal should appear as a solid black line. Make sure the housing controls line up with the camera controls.

Turn Camera On

Turn the camera on and operate each of the housing controls to get a feel for using the camera in the housing. Operate the camera above water with the camera in the housing.

*** You are now ready to shoot underwater video!**

Lens Port

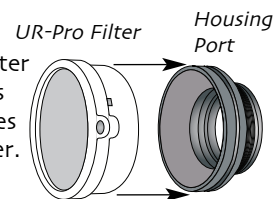
Treat the glass in the lens port as a camera lens. After use, rinse and gently dry the outside lens port to avoid water spotting. To clean, use a mild soap solution or lens cleaner. Do not rinse the inside port glass. *Do not use alcohol or window cleaner on the Lens Port.*

UR-Pro Filter

The included UR/Pro color correcting filter for tropical blue water settings, replaces some of the reds and warm natural tones that would otherwise be lost underwater. Effective in relatively shallow, sunny conditions with or without a Video Light.

The #6441.71 removable color filter is available separately for use in green water settings.

NOTE: Make sure no air bubbles are trapped between the UR-Pro Filter and housing port. If so, remove the filter underwater, wipe away the bubbles, and re-install filter on the housing port.



Optional Accessories

Main Housing O-ring #0132.45

O-rings last for several years if properly maintained (See housing maintenance page #12). Always carry a spare in case your housing o-ring becomes damaged or lost.

Ikelite Lube #5020 (4 - 1cc tubes)

For light lubrication of the main housing o-ring.

Ikelite W-20 Wide-Angle Conversion Lens #6420

For increased angle of coverage, color, and clarity, add the Ikelite W-20 #6420, or other 67mm wide-angle conversion lenses. Ikelite 67mm Threaded Port Adapter #9306.78 is required to attach 67mm conversion lenses to the housing port.

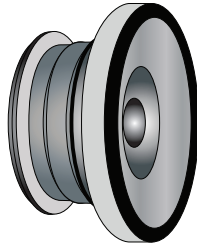
#9306.78 67mm Threaded Port Adapter

Allows attaching Ikelite W-20 Wide-Angle Conversion Lens #6420 with 67mm threads. Also allows attachment of Epoque, Type II Inon screw-on lenses, and macro lenses or diopters with 67mm threads. Includes larger size removable flash deflector.

#9306.85 Bayonet Port Adapter

Allows attaching INON UWL-105 AD, UWL-100 28AD, and UFL-165AD bayonet mount lenses.

NOTE: Slight edge softness around the picture edges is normal in some situations. No vignetting was noted with the camera in its widest angle setting when used with the listed conversion lenses. If vignetting occurs with lenses that are not listed, zoom in to eliminate.



9

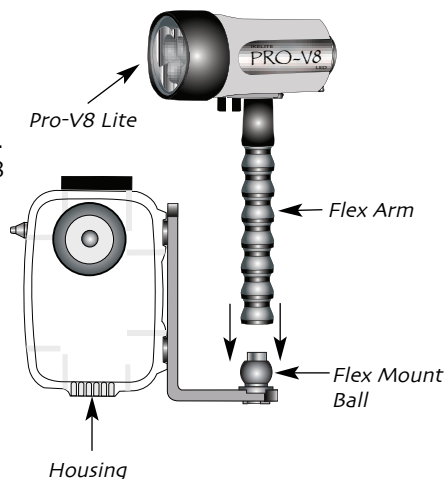
Optional Accessories (cont.)

Pro-V8 Video Lite #6320

The Pro-V8 LED is the easiest and most affordable way to add valuable light to your system. The flexible pop-bead flex arm allows the light to be repositioned effortlessly. The included flex mount ball attaches to the Video Compact Tray. For more light, add a second Pro-V8 LED or the Pro Video Lite 3 system with the #9523.52 Dual Tray. Requires the #9523.51 Video Compact Tray, sold separately.

Housing with Tray attached

Once the Video Compact Tray is attached to the housing, the Pro-V8 Flex Arm easily attaches to the Flex Mount Ball as shown. Once attached, the Pro-V8 Lite can be repositioned effortlessly.



Complete information regarding optional accessories available at http://www.ikelite.com/web_pages/videoone.html

11

Optional Accessories (cont.)

UR/Pro Blue Water Filter #6441.31 (included with housing)

(#6441.42 for W-20 Accessory Lens)

The UR/Pro color correcting filter is designed to restore some of the warm colors filtered out by the water. For use with available light and video lite.

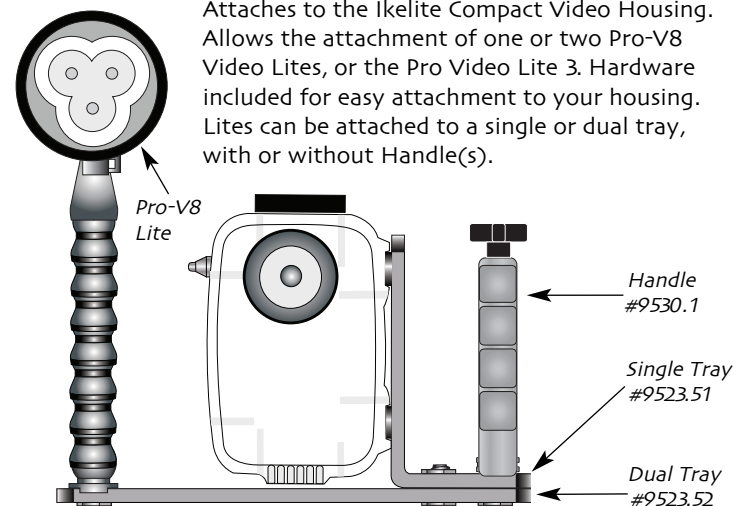
UR/Pro Green Water Filter #6441.71

(#6441.82 for W-20 Accessory Lens)

Enhances contrast and alters the color of green water to give your subject a rich, natural tone. For use with available light and video lite.

Video Compact Tray #9523.51 / Dual Tray #9523.52 / Handle #9530.1

Attaches to the Ikelite Compact Video Housing. Allows the attachment of one or two Pro-V8 Video Lites, or the Pro Video Lite 3. Hardware included for easy attachment to your housing. Lites can be attached to a single or dual tray, with or without Handle(s).



10

Housing Maintenance

The Ikelite housing should be given the same care and attention as your other photographic equipment. In addition to normal maintenance we recommend that the housing be returned to Ikelite periodically to be checked and pressure tested.

1. **Do Not** leave the camera and housing in direct sunlight for prolonged periods. Heat may damage the camera.
2. **Do Not** ship the camera in the housing.
3. Keep the back o-ring clean and lightly lubricated. Only apply enough lubricant to make the o-ring feel slick. **Do Not stretch the o-ring.** This light coating of lubricant will help to keep the o-ring from drying out and reduce friction when opening and closing the housing. Keep the area where the o-ring fits and the sealing surface of the housing clean.
4. Rinse the housing exterior thoroughly in freshwater after each saltwater use. Dry with a soft cloth. Dry lens port to eliminate water spotting.

After several uses in saltwater, soak the housing exterior in a mild soap solution, rinse and dry before storage. When storing the housing, remove the back o-ring, lightly lubricate and place in a plastic bag. Place the plastic bag with o-ring inside the housing for safe keeping.

Push button controls require no maintenance other than rinsing in freshwater after saltwater use. If a push button control becomes difficult to push, or if it sticks when depressed, soak the housing in luke warm fresh water. After a few minutes operate the push button. If this does not correct the problem, return the housing to Ikelite for routine maintenance.

12

General Tips

1. Before placing your camera in the housing, it is a good idea to immerse the closed housing in a bucket or rinse tank to make sure it is watertight.
2. Due to the power required to operate the camera and LCD screen, it is a good idea to start each dive with a fully charged camera battery.
3. As soon as you enter the water, take a moment and check the housing to see that it is properly sealed.
4. Next, check to see if there are any bubbles on the face of the lens port. If there are, take your finger and remove them. If there are bubbles on the lens port they can produce soft focus spots in your video.

NOTE: Fogging of the port glass may occur due to a variety of environmental factors. To prevent fogging issues, always assemble the housing in a cool, dry area, and keep the housing out of direct sunlight. If fogging persists, insert a fresh dessicant packet inside the housing before each day of diving. Dessicant packages are not available from Ikelite, however most camera stores carry them.

Video Tips

The number one rule in underwater videography is to eliminate as much water between the camera and subject as possible. Get as close as you can to the subject, then use the zoom if necessary.

13

Ikelite Limited Warranty

All Ikelite products are warranted against any manufacturing defects for a period of one year from the original date of purchase. Defective products should be returned prepaid to Ikelite. Ikelite will, at its discretion, repair or replace such products, and will return to customer prepaid. All other claims of any nature are not covered. Housing is pressure tested and warranted to 200' (60m) maximum underwater depth. Except as mentioned above, no other warranty expressed or implied, applies to this Ikelite product.

15

Returning Products for Service

Ikelite is most interested in performing any service to ensure that all products perform as intended. Evidence of purchase date must be provided to obtain warranty service.

No prior authorization is required. You may return directly to us or through your dealer. Please include a brief description of the problem, any relevant e-mail correspondence, and/or instructions on what you want us to do. Always include name, shipping address, e-mail address, and phone number inside of the package.

You may also want to insure the package.

Send Postage Pre-Paid to:

Ikelite Underwater Systems
ATTN: Repair Dept.
50 West 33 Street
Indianapolis, IN 46208 USA

No reimbursements for return freight will be issued.

Returning Products for Service (outside the United States)

For the separate international customs documentation form that you complete to accompany the shipment, please state or designate that the enclosed products were originally manufactured in the USA and are being returned to the manufacturer for repair service. Value of the equipment listed for customs purposes should be zero.

14

How to contact Ikelite if necessary

E-mail: ikelite@ikelite.com
Phone 317.923.4523
Fax 317.924.7988



Ikelite Underwater Systems
50 West 33rd Street
Indianapolis, IN 46208 USA