

IKELITE VIDEO CASE

SUPPLEMENTAL INSTRUCTIONS FOR

6038.54 Sony HDR-CX300, 305, 330, 350, 350V, 370

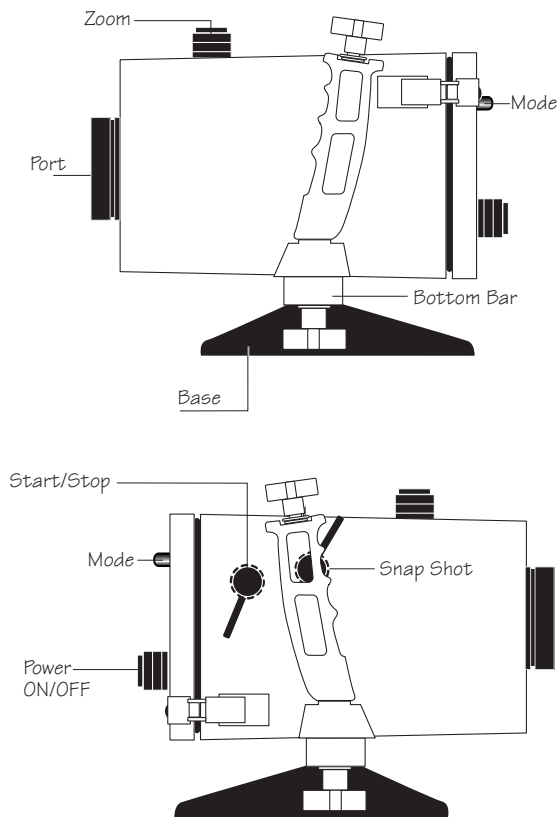
6039.23 Sony HDR-XR 350, 350V

This supplemental set of instructions describes additional features specific to your housing model. Prior to testing the system in the water, please read this supplement along with the general instruction manual to become familiar with its features and functions.

Ikelite Video Cases are slightly negative in salt water for stability. This housing has been water pressure tested at the factory and has a working depth of 60m (200').

HOUSING CONTROLS

- Power On/Off
- Start/Stop
- Snap Shot
- Zoom
- Mode Button



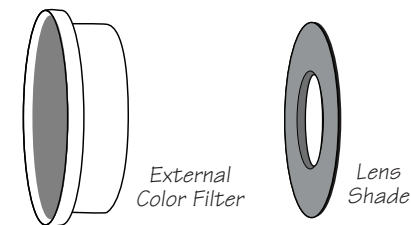
MAIN O-RING #0109

O-rings last several years if properly maintained. Control seals should not need to be replaced as long as the control shafts are kept clean and lightly lubricated.

PREPARATION

PACKAGED WITH HOUSING

- External UR/Pro Color Filter
- Silicone Lubricant
- Lens Shade



COLOR FILTER

The installation and usage of the external UR/Pro color filter is described in the general instruction manual.

LENS SHADE

The internal lens shade helps block light reflection/refraction caused by the interaction of the external color filter and the port.

Carefully thread the lens shade on the front of the camera lens. The lens threads are very fine; **DO NOT** cross thread. It should screw on very easily. If it is difficult to turn, you are cross threading.

Completely thread the lens shade into the camera to avoid any potential clearance or sealing problems when the camera is installed and the housing is sealed.

INTERNAL WIDE-ANGLE LENS OPTION

Special ports are available for use with the Raynox DCR-730 Pro high definition wide-angle lens. optional ports sold separately as dome port #9306 or flat lens port #9306.1. Raynox DCR-730 Pro lens not included. Lens **not** available for purchase through Ikelite. Requires 30mm to 37mm and 37mm to 52mm step-up rings.

LCD MONITOR / EXTERNAL MIRROR

The camera's LCD monitor can be viewed thru the rear of the housing. Open the LCD monitor on the camera. Once the camera is secured to the camera tray, press the LCD screen against the shade secured to the back of the housing.

BATTERY AND TAPE

Install a fully charged Sony battery on the camera:
Sony NP-FV 50, NP-FV 70, FP-NV 100
Other brand batteries may not fit inside the housing.

Make sure you have loaded an appropriate Memory Stick Pro or SD card in the camera.

FINAL PREPARATION

Remove the lens cap, lens hood and cord from the camera. Otherwise, they may interfere with the housing seal.

The camera's auto focus feature is utilized underwater. For best results, move in close to your subject and use the wide angle range to shoot thru as little water as possible. The full zoom range is accessible underwater.

Chart shows recommended initial settings underwater.

CAMERA	SETTING
Power On/Off	- Camera (On)
Zoom Lever	- Wide Angle Setting
Focus	- Auto Mode
Low Lux	- On

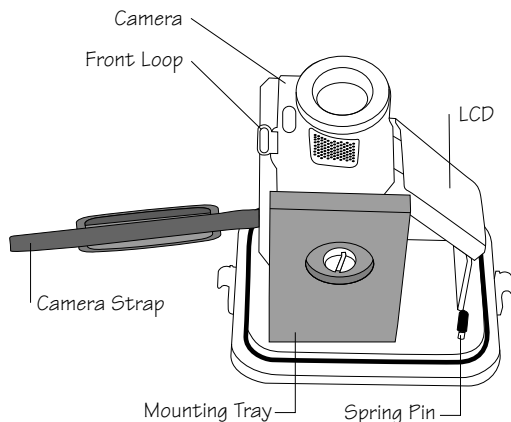
INSTALLATION

CAMERA TRAY

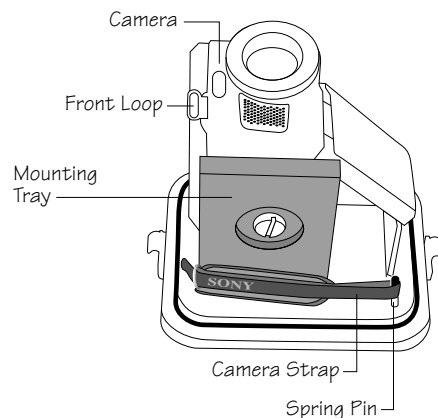
The camera mounts to the tray, which extends from the back plate of the housing.

DO NOT remove the tray from the back plate. The camera strap should be removed or secured next to the camera so it does not interfere with sealing the housing.

1. Open the camera LCD screen.
2. Place the camera against the stabilizing pins on the tray. Secure camera with the tripod mounting bolt. The camera should fit easily on the tray and should be parallel with the sides of the tray.
3. Press the LCD screen against the shade on the housing back.
4. Loop the camera strap underneath the camera tray and attach the open end of the strap around the spring pin on the housing back.
5. Press the LCD screen against the shade on the back.



Remove the camera strap from the front loop on the camera.



Loop the camera strap underneath the camera tray and attach the open end of the strap around the spring pin on the housing back.

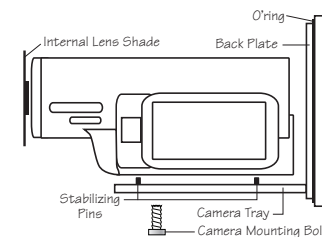
INSTALLATION continued

INSERTING THE CAMERA

Check that the clean o-ring is properly positioned on the lip of the clear back plate. Place the lid snaps in the open position.

Once the camera is mounted to the tray pull the housing controls out to provide clearance for the camera. Align the back plate with the clear housing and slowly place the back plate against the housing.

DO NOT force this installation; if the controls are out of the way and everything is lined up properly, the camera and tray will fit easily inside. Make certain that the tray is completely in the housing. The front should be flat against the housing and **NOT** tilted on one side.



HOUSING CONTROLS

Slide the housing controls back in place making sure they properly align with the camera functions. Fasten the opposite lid snaps at the same time--**DO NOT** fasten one at a time.

Operate each control to see how it works with the camera. Some controls such as start/stop will be used frequently. Other controls may seldom be utilized. Refer to your camera owner's manual for the proper function of each camera control. Look thru the back to be sure that you can see into the viewfinder.

When using the housing controls, especially the start/stop, **DO NOT** use excessive force because you could damage the camera.

Still Mode

When in the Still Mode and full wide angle, the image may show vignetting (shading in the corners). To correct, slightly zoom in on the subject until vignetting disappears.

Weight Options

If additional weight is needed the following bases can be ordered.

#9360.1 - 5 oz weight

#9360.2 - 1 lb weight

CAUTION

Remove the lens cap and cord from the camera. Otherwise, the cord may interfere with the housing seal.

If the housing controls are not properly positioned, they could interfere with the housing seal.

IKELITE UNDERWATER SYSTEMS

50 West 33rd Street • PO Box 88100 • Indianapolis, IN 46208 USA • 317.923.4523

Email: ikelite@ikelite.com • www.ikelite.com