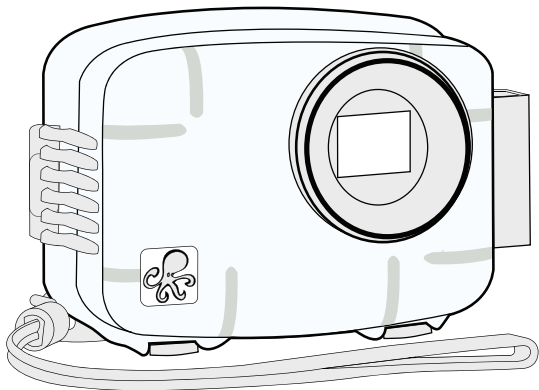




Digital Housing

Supplemental Instructions

6251.03 for Nikon Fuji XP30



Size and Weight

Width5.8in. (147mm) including controls

Height4.6 in. (117mm) including controls

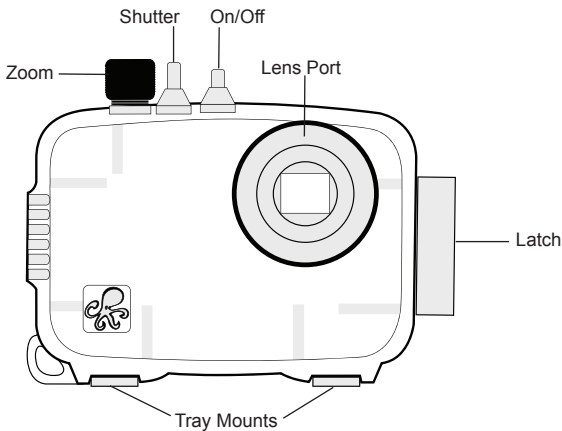
Depth3.2 in. (81mm) including controls & lens port

Weight1 lb. (454g)

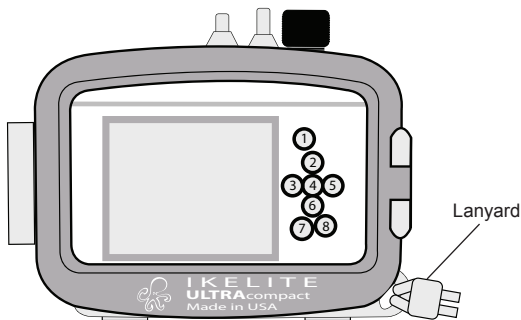
BuoyancySlightly positive in fresh water

Housing Controls

Front View



Back View



- | | |
|--------------------------|---------------|
| 1. Movie Recording | 5. Flash |
| 2. Exposure Compensation | 6. Self-timer |
| 3. Macro | 7. Playback |
| 4. Menu/OK | 8. Display |

Initial Camera Settings

- Set Date and Time.
- Insert and Format an SD memory Card (2 GB or higher recommended).
- Set Shooting Mode to “P” Program AE.
- Set ISO to “100.”
- Set White Balance to “Auto.”
- Set Flash Mode to ON “lightning bolt only.”
- Set Face Detection to “Off.”
- Set AF Mode to “Center.”
- Set LED Illuminator to “Off.”

A strobe focusing light is recommended to assist AF underwater.

Note: Enable Macro mode when shooting close-up subjects. If overexposure occurs, back away from the subject and zoom in.

External Accessory Lenses

An external wide angle conversion lens increases angle of coverage so you can get much closer to your subject while still fitting everything in the frame. By reducing the amount of water between the subject and your camera lens, the resulting image will be more crisp and colorful.

Moderate vignetting (shading in the corners) may be present in the widest angle setting when using external accessory lenses. This effect can be eliminated by zooming in slightly.

Attach 67mm threaded #6420 Ikelite W-20, Inon Type II, and Epoque lenses using the #9306.78 port adapter. This adapter may also be used to attach 67mm threaded macro lenses.

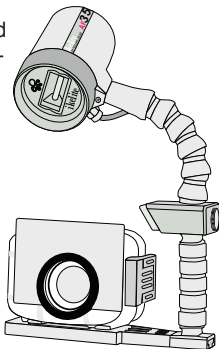
Attach bayonet style Inon macro or UWL-100 28AD, UWL-105AD and UFL-165AD wide angle lenses using the #9306.85 port adapter.

AF35 Strobe Package #4035

The AutoFlash AF35 kit is a great compliment, and an effortless, affordable way to add a flash to your new Ikelite point and shoot camera system. Everything you need to get started is in the box. Just attach it to the bottom of your housing and start taking pictures!

AF35 AutoFlash kit includes:

AF35 strobe - Flex arm - AutoFlash sensor
Handle with rubber grip - Tray (single or dual)
Mounting hardware.



A full range of accessories is available to support your housing. Please visit www.ikelite.com/web_two/fuji_xp30.html to see the most current information about recommended accessories for your housing.

Ikelite Technical Support

E-mail: ikelite@ikelite.com

Phone 317.923.4523

Fax 317.924.7988



Ikelite Underwater Systems
50 West 33rd Street
Indianapolis, IN 46208 USA

www.ikelite.com

6251.03_Fuji_XP30_1-0511