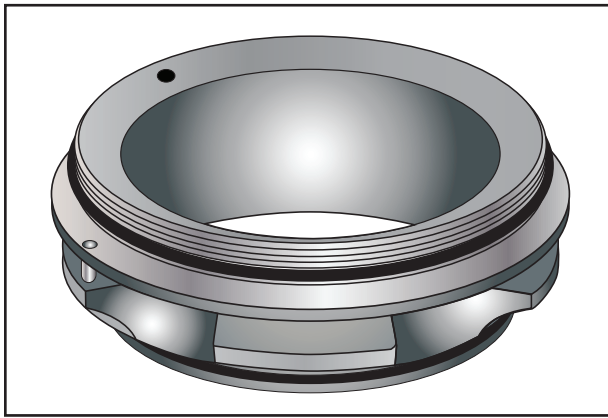
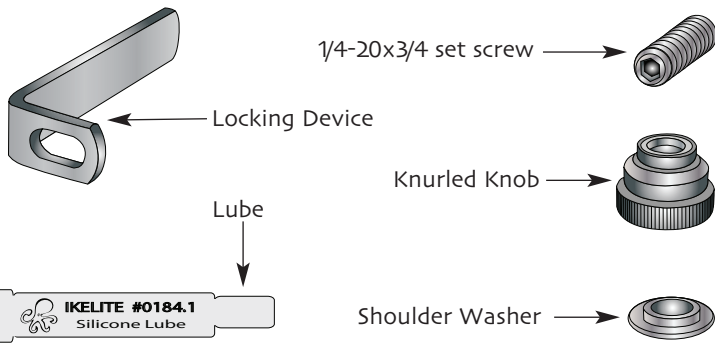


Ikelite Superwide Port Body #5510.11

instruction manual



Included with Port Body



Thank you for your purchase of the Ikelite Superwide Port Body. Ikelite products have been designed and built in the USA for over 45 years for both the professional and amateur photographer.

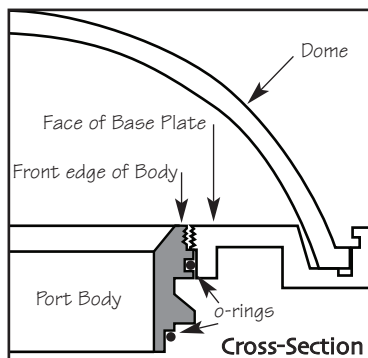
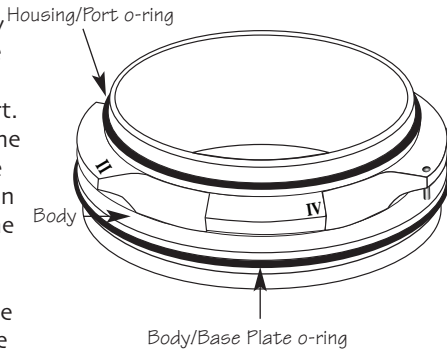
This product should receive the same care and attention as your other photographic products.

Instruction Index

Pg 2Instruction Index
 Pg 3Installing the Port Body
 Pg 4Port Locks
 Pg 4-5Installing Low Profile Port Locks
 Pg 6Shade Alignment
 Pg 7Installing the Dome Port
 Pg 8Installing the Locking Device
 Pg 9Port Seal Inside View
 Pg 9Removing the Dome Port
 Pg 9Replacement O-rings
 Pg 10Maintenance
 Pg 10Ikelite Limited Warranty
 Pg 10Returning Products for Service

Installing the Port Body

Install Port Body by screwing it into the base plate of the #5510.45 Dome Port. The seal between the Body and the dome base plate is a piston seal and requires the o-ring to be lightly lubricated for easy installation. Remove the Body/Base Plate o-ring, put a small amount of lubricant on your fingers and draw the o-ring through your fingers to lightly lubricate it. Do not stretch the o-ring. Check that the o-ring groove in the Body where the o-ring fits and the sealing surface on the port base plate are clean. Replace the o-ring onto the Body and then screw the Body into the base plate of the dome port. Screw the Body in until it stops. The front edge of the Body should be flush with the inside face of the dome base plate as shown in the cross-section.



Port Locks

All Ikelite digital SLR housings produced since March 2006 (serial number 15798 and above) are fully compatible with the #5510.11 Superwide Port Body and require no modification.

Unmodified housings produced prior to March 2006 require the installation of low-profile port locks. These may be purchased through your local Ikelite dealer or directly from Ikelite at 317.923.4523. Request two #9072.24 port locks when ordering.

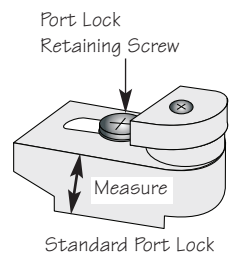
To visually compare, older port locks measure 7/16" from the bottom to the top of the retaining screw slot. Low-profile port locks measure 5/16". Refer to the figures below.

Ikelite film SLR housings are not compatible with the #5510.11 Superwide Port Body.

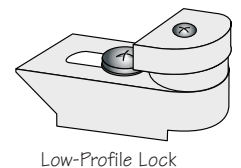
Installing Low Profile Port Locks

Removing Standard Port Lock

To remove the Standard Port Locks, unscrew each Port Lock retaining screw. Once the retaining screws and washer are removed, the Port Locks can be removed from the housing mounting blocks.



NOTE: The Standard Port Lock retaining screws and washers will NOT be reused when installing the Low Profile Port Locks.

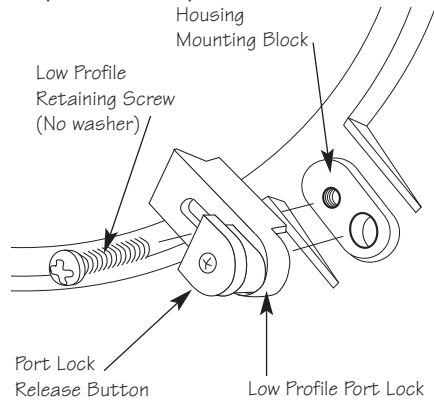


Installing Low Profile Port Locks (cont.)

Place the Low Profile Port Lock onto the housing, note that the raised area on the underside of the Low Profile Port Lock fits into the large hole on the housing mounting block. Once the Port Lock is in place, insert the **Low Profile Retaining screw (provided with the Low Profile Port Lock)** into the screw hole as shown. **No washer is required.** Tighten the screw down until the Low Profile Port Lock will not slide back and forth. Now loosen the Retaining screw 1/4 turn, just enough to allow the Low Profile Port Lock to slide when it is unlocked.

After the Low Profile Port Locks have been installed and moved forward into their locked position, the port is ready for installation.

Make sure all Port Lock Release Buttons are down and locked.



NOTE: The Low Profile Port Locks will work with any Ikelite port, once they have been installed there is no reason to replace them.

5

Installing the Dome Port

Unlike other Ikelite ports, the #5510.11 Superwide Body installs on the housing in a bayonet fashion. **Before** attempting to install the dome port on the housing, push each port lock forward until the lock fully engages. Visually confirm that the Port Lock Release Button is seated flush against the Port Lock Body. Do not rely on an audible "click" to indicate that the lock is engaged.

The seal between the housing and the Port Body is a piston seal and requires the Housing/Port o-ring be lightly lubricated for easy installation. Remove o-ring from the port body, put a small amount of Ikelite lubricant on your fingers and draw the o-ring through your fingers. Be careful not to stretch the o-ring. Check that the lip of the port body where the o-ring sits and the sealing surface on the housing are clean. Place the o-ring onto the port body.

The port body has a divot on its face to aid in alignment when attaching the dome port to your housing. See drawing on the front page. When looking at the front of the housing, align this divot with the top left (10 o'clock position) port lock. In this position the cut-outs on the port body will align with the port locks on the housing.

Press down on the port firmly and evenly until you feel the port slide into place. Continue to push down and rotate the port clockwise until it stops. The port will only rotate approximately 60 degrees to stop. Do not force the port to rotate beyond this point.

NOTE: The L-shaped Locking Device must be removed prior to Dome Port installation on the Ikelite DSLR housing - Diagram A, page 8.

7

Shade Alignment

The 8" dome shade must be properly aligned to utilize the locking feature of this port body. The shade is designed to fit tightly on the dome and may need to be completely removed to realign. Loosen or remove all four set screws before attempting to remove the dome shade.

Once the Superwide Port Body is installed on the dome, remove the dome shade.

If using a two port lock housing:

Partially thread the 1/4-20 x 3/4" set screw into one of the larger protrusions of the dome shade. Place the locking device onto the set screw with the long end towards the center of the shade. Align the shade so that the end of the locking device fits into the #5510.11 cut-out designated "II."

If using a four port lock housing:

Partially thread the 1/4-20 x 3/4" set screw into one of the smaller protrusions of the dome shade. Place the locking device onto the set screw with the long end towards the center of the shade. Align the shade so that the end of the locking device fits into the #5510.11 cut-out designated "IV."

"Tighten all set screws using an allen wrench. One of the original, shorter set screws included with the dome shade will be left over when installation is complete.

When installed on the housing, the longer protrusions on the dome shade should be oriented top and bottom (12 and 6 o'clock positions) and shorter protrusions on either side (3 and 9 o'clock positions).

Once the shade is aligned properly, it should retain correct alignment even when the same superwide port body is removed and replaced. The shade does not need to be aligned differently for any other length of port body.

6

Installing the Locking Device

Slide the L-shaped locking device over the longer set screw in the dome shade. When aligned properly, the locking device should be able to be completely inserted into one of the cut-outs in the port body (though obscured with dome port installed). Install the knurled nut on the end of the set screw and tighten securely. For two port lock housings, the locking mechanism will be on either the top or the bottom of the housing (12 or 6 o'clock positions). Note that the dome shade protrusions will be correctly aligned short of the stopping point on the port body. This is normal.

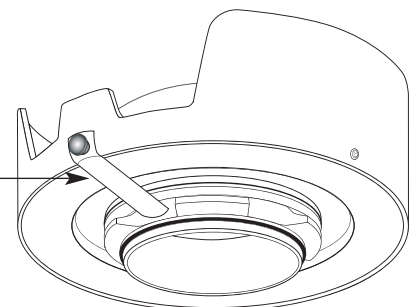
For four port lock housings, the locking mechanism will be on right side of the housing at the 3 o'clock position when facing the front of the housing.

If the knurled nut cannot be tightened snug, add the included shoulder washer between the locking device and the knurled nut.

The locking device should be installed any time that the housing is taken in the water. Without the locking device installed properly there is a chance the port may be unintentionally dislodged.

Diagram A

Correctly installed Locking Device with dome on a four port lock housing.



8

Port Seal Inside View

Due to the wide overhang of the port flange the port seal is most visible when viewed by looking inside the housing before the camera is inserted. After the port is installed check to see that the o-ring is properly sealed as shown in **Figure 1** and not extruded as shown in **Figure 2**.

Fig. 1

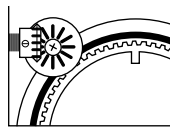
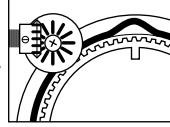


Fig. 2



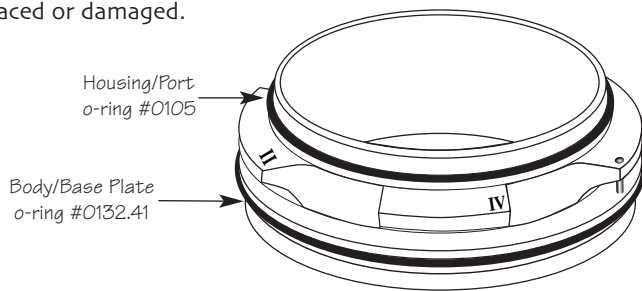
Removing the Dome Port

Loosen and remove the knurled nut and L-shaped locking device. Rotate the port counter-clockwise until the divot aligns with the port lock. Lift port from the housing.

The o-ring may be left in the port hole of the housing when the dome port is removed. Replace the o-ring in the proper position on the port body before reassembling the housing and dome port.

Replacement O-rings

O-rings can last for several years if properly maintained, but it is wise to carry spare o-rings when traveling in case one becomes misplaced or damaged.



9

Maintenance

After each dive the exterior of the housing and Dome Port should be rinsed thoroughly in fresh water and dried with a soft cloth. Remove any water spots from the Dome as they can cause blurry spots in the photographs.

After prolonged saltwater use the exterior of the Dome Port and housing should be soaked in a mild liquid soap and water solution. Rinse thoroughly and dry with a soft cloth.

Ikelite Limited Warranty

All Ikelite products are warranted against any manufacturing defects for a period of one (1) year from the original date of purchase. Defective products should be returned prepaid to Ikelite. Ikelite will, at its discretion, repair or replace such products, and will return to customer prepaid. All other claims, of any nature, including but not limited to bulb failure are not covered. Except as mentioned above, no other warranty expressed or implied, applies to this Ikelite product.

Returning Products for Service

Ikelite is most interested in performing any service to assure that all products perform as intended. For repair or service, return the product to the address below with your name, address, phone number and a brief description of the problem. Evidence of purchase date must be provided to obtain warranty service.



Ikelite Underwater Systems
50 W 33rd Street
Indianapolis, IN 46208 USA
317-923-4523
email: ikelite@ikelite.com
www.ikelite.com

#5510.11 Superwide Port Body-01-1009