



HIGH INTENSITY HALOGEN BULB MINI C-LITE O-RING SEAL DIVING LIGHT

OPERATES TO 300 FEET

URNS ON AND OFF
WITH ONE HAND

FOLDING SWITCH
TO PREVENT
ACCIDENTAL USE

UNBREAKABLE CASE
AND CAP

FOR BEST RESULTS, USE
QUALITY ALKALINE BATTERIES

MADE IN USA

IKELITE LIMITED WARRANTY

All Ikelite products are warranted against any manufacturing defects for a period of one year from the date of purchase. Defective products should be returned prepaid to Ikelite. Ikelite will, at its discretion, repair or replace such products, and will return to customer prepaid. All other claims, of any nature, including but not limited to bulb failure are not covered. Except as mentioned above, no other warranty expressed or implied, applies to this Ikelite product.

IKELITE UNDERWATER SYSTEMS

P. O. Box 88100
50 West 33rd Street
Indianapolis, Indiana 46208 USA

Phone: 317-923-4523
Fax: 317-924-7988

E-Mail: ikelite@ikelite.com
Web Site: <http://www.ikelite.com>

MINI C-LITE-03-0508

OPEN LITE & INSTALL BATTERIES

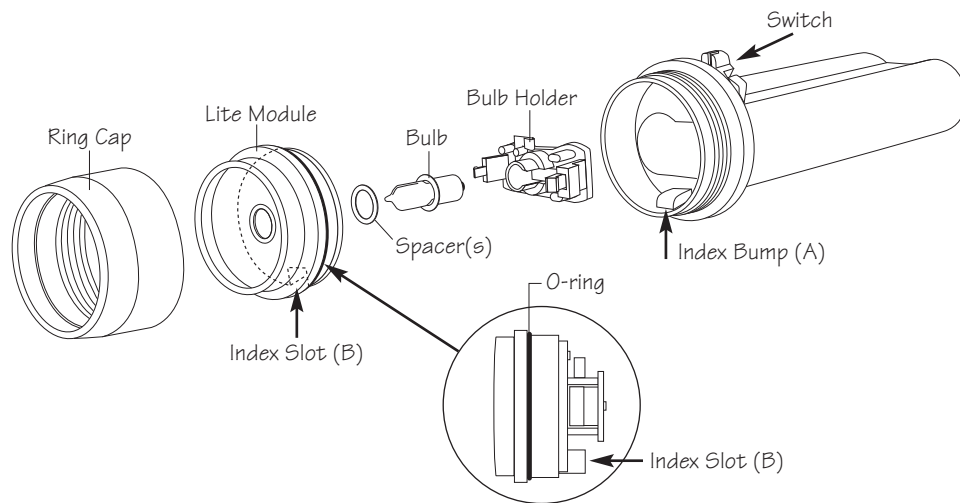
Unscrew the cap counterclockwise, and remove the lite module. Note polarity markings on the inside of the lite body and insert four C-cell batteries. Both of the batteries in one side must be positive button up; both of the batteries on the other side must be positive down.

For best performance, we recommend Eveready Energizer® Alkaline batteries.

Check that the Ring Cap is tight before entering the water.

CLOSING THE LITE

1. Keep the o-ring and sealing surfaces clean. No lubricant is needed.
2. Position the o-ring on the step of the clear lens as pictured below, and place the lite module completely inside the ring cap. Note that the o-ring will be squeezed between the lens and the body. DO NOT place the o-ring on the top of the lens where it would touch the ring cap.
3. Tilt ring cap and lite body towards one another, aligning index bump (A) with index slot (B).
4. Rethread the ring cap on the body. FIRMLY hand-tighten the ring cap to assure the proper seal. Otherwise, the lite may leak.



ON/OFF SWITCH

Rotating ON/OFF switch. The switch folds to prevent being accidentally turned ON. Unfold the switch to turn the light on. If the unit does not come ON, the ring cap may NOT have been tightened sufficiently.

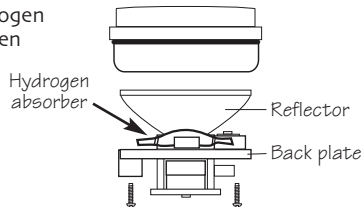
Inserting the Lite Module without aligning the index bump (A) with index slot (B) can bend the switch contacts and prevent the lite from working. The "U" shape of the switch contact can be adjusted if necessary. Correct space between the "U" contact and the flat contact beneath it is about $\frac{3}{32}$ ". The light will not turn on if this space is too great; and the light will not turn off if the contacts are touching.

CHANGING THE BULB

1. Squeeze the two ends of the bulb holder and pull to remove the bulb holder from the lite module.
2. Make sure the bulb contact is lying flat on the bulb holder, and insert the new bulb into the bulb holder – NOT into the lite module. Replace any spacer washers over the bulb.
3. Squeeze the two ends of the bulb holder, and reinsert into the openings on the back of the lite module. Note that the bulb holder mounts only one way.

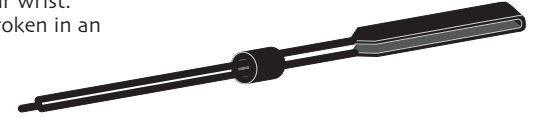
FLOODED LITE

1. Turn OFF the lite, unscrew ring cap and pour out the water, remove and discard batteries.
2. Rinse all components with fresh water.
3. Dry all components of Lite completely before reusing.
4. REPLACE ALL BATTERIES. Never re-use batteries that have been wet. The water could create an internal short circuit at some later date causing a potential explosion.
5. Install a new hydrogen absorber packet before using the lite again. New hydrogen absorber should be placed inside the lite module. (Remove 2 screws from back plate on lite module, remove the plate and place the hydrogen packet between the reflector and the back plate). Hydrogen absorber packets #0910 can be obtained from Ikelite.
6. Reinstall screws to secure backplate and Lite Module.
7. Clean all metal contacts to remove any corrosion.
8. Determine the cause of flooding and correct the problem. Look for a possible dent on the sealing surface of the lite. Or, lite may have leaked if the ring cap was not tight.
9. Otherwise, refer servicing to Ikelite.



OPTIONAL ACCESSORIES

LANYARD #0321.10 slips around your wrist. Durable vinyl material designed to be broken in an emergency situation.



CAUTION

DO NOT use batteries that have been wet; batteries from a flooded lite should be discarded. The water could create an internal short circuit at some later date causing a potential explosion. The normal evolution of all batteries is emitting hydrogen gas. This gas must be absorbed or allowed to escape to prevent ignition of the entrapped hydrogen/air mixture. We suggest removal of the batteries during long periods of storage to prevent trapping any hydrogen/air mixture. A hydrogen absorber has been concealed inside this lite and should NOT be removed. In case the lite floods, install a new hydrogen absorber, and replace the batteries.

HALOGEN BULB CHOICES

- #0042.55 High-intensity 5V halogen lamp 4 hour burn
- #0042.52 Optional 5.2V halogen lamp 6 hour burn
- #0047.50 Spacer washers

Spacer washers are used to adjust the beam pattern of a new bulb. Standard PR13 bulbs may be used for lower intensity and longer battery life. Use the special Ikelite Halogen bulbs for the brightest light.

Use only Alkaline batteries with Halogen bulbs.

MAINTENANCE

1. We suggest storage of your lite open or with the o-ring removed to allow any potential hydrogen/air mixture to escape.
2. Outer edge of lite body is the sealing surface. DO NOT allow this surface to become dented.
3. Keep the o-ring and sealing surfaces clean. DO NOT stretch the o-ring when cleaning; no lubrication is needed. Never use spray lubricant as it will cause cracking of plastics.
4. Occasionally clean and slightly adjust the metal contacts for a better connection.
5. Keep the body and ring cap threads clean.