

# IKELITE C-LITE 8



The Ikelite C-Lite 8 features our super intense 10V-quartz halogen lamp producing an incredibly bright penetrating medium spot beam with good peripheral coverage.

8 C-cell alkaline batteries provide 14W initial intensity and 3.5 hours of high intensity light. Rubber coated pistol grip handle featured for comfortable exploration night or day.

The rear clamp design assures easy opening and dependable resealing. Virtually indestructible casing. Rubber shroud protects the front lens while blocking side reflections. Large rotating switch and sliding lock afford easy operation even when wearing a bulky glove. Nickel-plated brass contacts boost the electrical efficiency and corrosion resistance. Waterproof to 90m (300 feet).

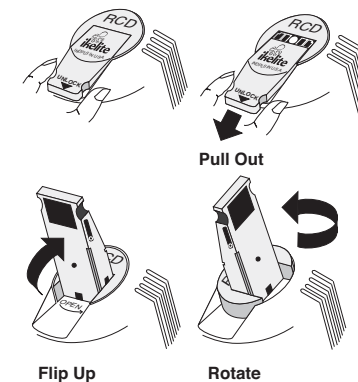
**Note:** Please read all instructions before using this product.

## OPENING THE LIGHT

The unique flip-lock lever makes opening and closing incredibly easy and dependable.

Simply extend the locking lever, flip it up, and rotate. The internal spring automatically pushes open the light for easy bulb or battery replacement. Flip the locking lever down and the C-Lite 8 seals with ease and confidence.

- Place light face down on flat surface.
- Pull out on the locking lever.
- Flip the lever up.
- Rotate the lever counter-clockwise 90° and the internal spring automatically pushes open the light.
- Lift the body off of the front. The batteries remain housed in the holder.



## O-RING

Keep the o-ring and sealing surfaces clean. DO NOT stretch the o-ring when cleaning. It is not necessary to lubricate the o-ring. Never use spray lubricant because it will crack the plastic.

Place the clean o-ring on the inner recess of the front head assembly.

Do not dent or damage the front edge of the lite body as the o-ring seals against this surface.

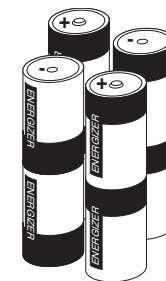
## CLOSING THE LITE

- Make sure the on/off switch has been rotated left to the off position.
- Place the front lens face down on a flat surface. Check that the o-ring and sealing surfaces are clean and undamaged; make sure the o-ring is positioned properly on the inner recess of the front.
- Place locking lever in the open position (pull out, flip up, and rotate lever).
- Align the handle on the body with the handle reference on the battery holder. Lower the body over the batteries. Proper alignment of the body with the front is extremely important to avoid possible damage to the internal components.
- To seal the light, simply reverse the opening sequence. Press down slightly on the body and rotate the lever clockwise. Push the lever down and slide the lever in to the locked position.

## ON/OFF SWITCH

The large rotating switch with sliding lock is easily operated with one hand. Unlock the switch by sliding the white-colored lock down. Rotate the switch fully to the right to turn ON the light.

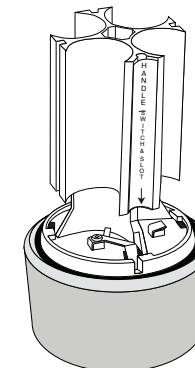
Rotate the switch to the left to turn the light OFF. To lock the switch, slide the white lock upward towards the light body. Lock the switch when the light is not in use. Never look into the face of the lite because of its blinding intensity.



## BATTERY INSTALLATION

Accepts eight C-cell batteries, alkaline or ni-cad. Alkaline batteries provide 14W initial intensity and 5.5 hours of high intensity light. Consumer ni-cads reduce intensity and burn time.

- Note the polarity markings at the base of the battery holder assembly.
- Follow the polarity markings when installing two batteries in each of the four columns. Make sure that both batteries in each column have the same polarity direction.
- For best performance, we recommend Energizer® alkaline batteries.



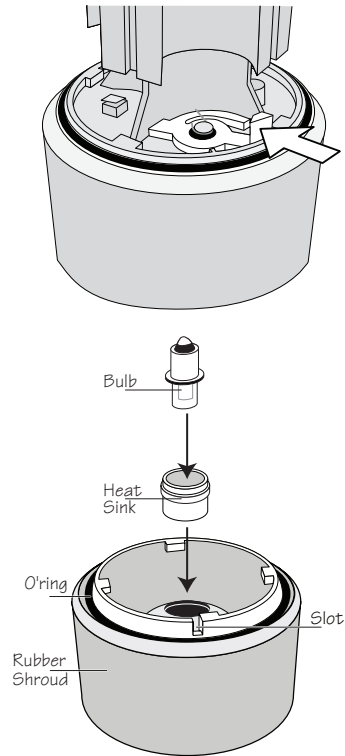
## BULB #0042.58 REPLACEMENT

To access the bulb compartment, the battery holder must be removed from the front lens assembly.

Depress the white-color release tab to unlock the battery holder, and then rotate the battery holder counter-clockwise slightly. A spring then pushes the battery holder away from the front lens.

Make sure the bulb is cool. Tilt the front lens assembly up to allow the bulb and heat sink (bulb holder) to drop from the rear of the reflector. Place the new bulb IKE 8 CELL #0042.58 inside the heat sink (bulb holder) and insert into the reflector opening.

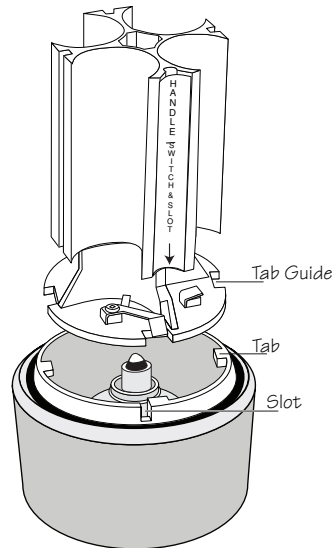
In an emergency, use a common PR-size bulb approximating 10V in place of the high-intensity bulb #0042.58.



## REMOUNT BATTERY HOLDER

After replacing the bulb, snap the battery holder to the front lens assembly as follows:

- On the battery holder, note the "HANDLE / SWITCH & SLOT" reference on the side opposite from the white release tab.
- Align the "HANDLE / SWITCH & SLOT" reference on the battery holder with the open slot on the front lens assembly.
- The tab guides on the battery holder must align with the tabs on the front lens assembly.
- Press the battery holder into the front lens assembly, and rotate the battery holder clockwise slightly to lock the holder in place. The white release tab should then lock the battery holder in place on the front lens assembly.



## MAINTENANCE

1. We suggest storage of your lite with the locking lever OPEN to allow any potential hydrogen/air mixture to escape.
2. The front edge of the lite body and the inner recess in the front assembly are the sealing surfaces. DO NOT allow these surfaces to become damaged.
3. Keep the o-ring and sealing surfaces clean. DO NOT stretch the o-ring when cleaning. It is not necessary to lubricate the o-ring. Never use spray lubricant because it will cause cracking of the plastics.
4. Occasionally clean the metal contacts for a better connection.
5. The front head assembly has been factory sealed; DO NOT disassemble.

## CAUTION

DO NOT use batteries that have been wet; batteries from a flooded lite should be discarded. Water could create an internal short circuit at some later date causing a potential explosion. The normal evolution of all batteries is emitting hydrogen gas. This gas must be absorbed or allowed to escape to prevent ignition of the entrapped hydrogen/air mixture. We suggest storage of your lite open to allow any hydrogen/air mixture to escape. A hydrogen absorber has been concealed inside this lite and should NOT be removed. In case the lite floods, glue a new hydrogen absorber to the back of the reflector and replace the batteries.

## REPLACEMENT PARTS

0042.58	C-Lite 8 BULB, IKE 8 CELL 10.4V halogen
0124	Main seal o-ring
0522	Rubber shroud
0836.32	Heat sink (bulb holder)
0910	Hydrogen absorber
9040.01	Battery holder assembly
9040.21	Front clear lens assembly with reflector and o-ring

## LIMITED WARRANTY

All Ikelite products are warranted against any manufacturing defects for a period of one year from the date of purchase. Defective products should be returned prepaid to Ikelite. Ikelite will, at its discretion, repair or replace such products, and will return to customer prepaid. All other claims, of any nature, including but not limited to bulb failure are not covered. Except as mentioned above, no other warranty expressed or implied, applies to this Ikelite product.

### IKELITE UNDERWATER SYSTEMS

50 West 33rd Street  
PO Box 88100  
Indianapolis, IN 46208 USA

317-923-4523

[www.ikelite.com](http://www.ikelite.com)  
Email [ikelite@ikelite.com](mailto:ikelite@ikelite.com)